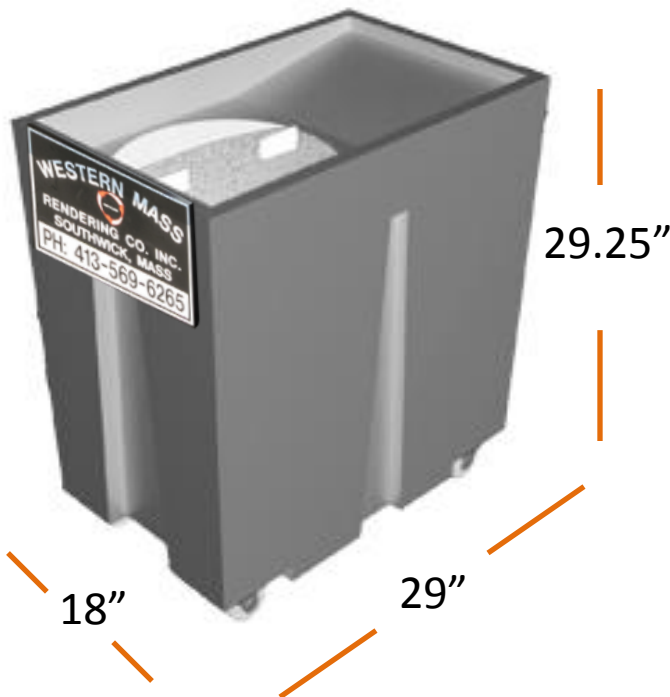




Under the Counter Grease Storage Unit

Features:

- Convenient size designed to fit under most kitchen counters.
- 50 gallon size is ideal for medium to low volume grease operations.
- Provides safe indoor storage of your waste cooking oils.
- Durable high density polyethylene construction.
- 12" easy to open lid.
- Specially designed top seal inhibits kitchen odor.
- 3" locking swivel castors for ease of control and stability.



Installation Space Requirements

18 " W X 29" D X 29 1/4 " H